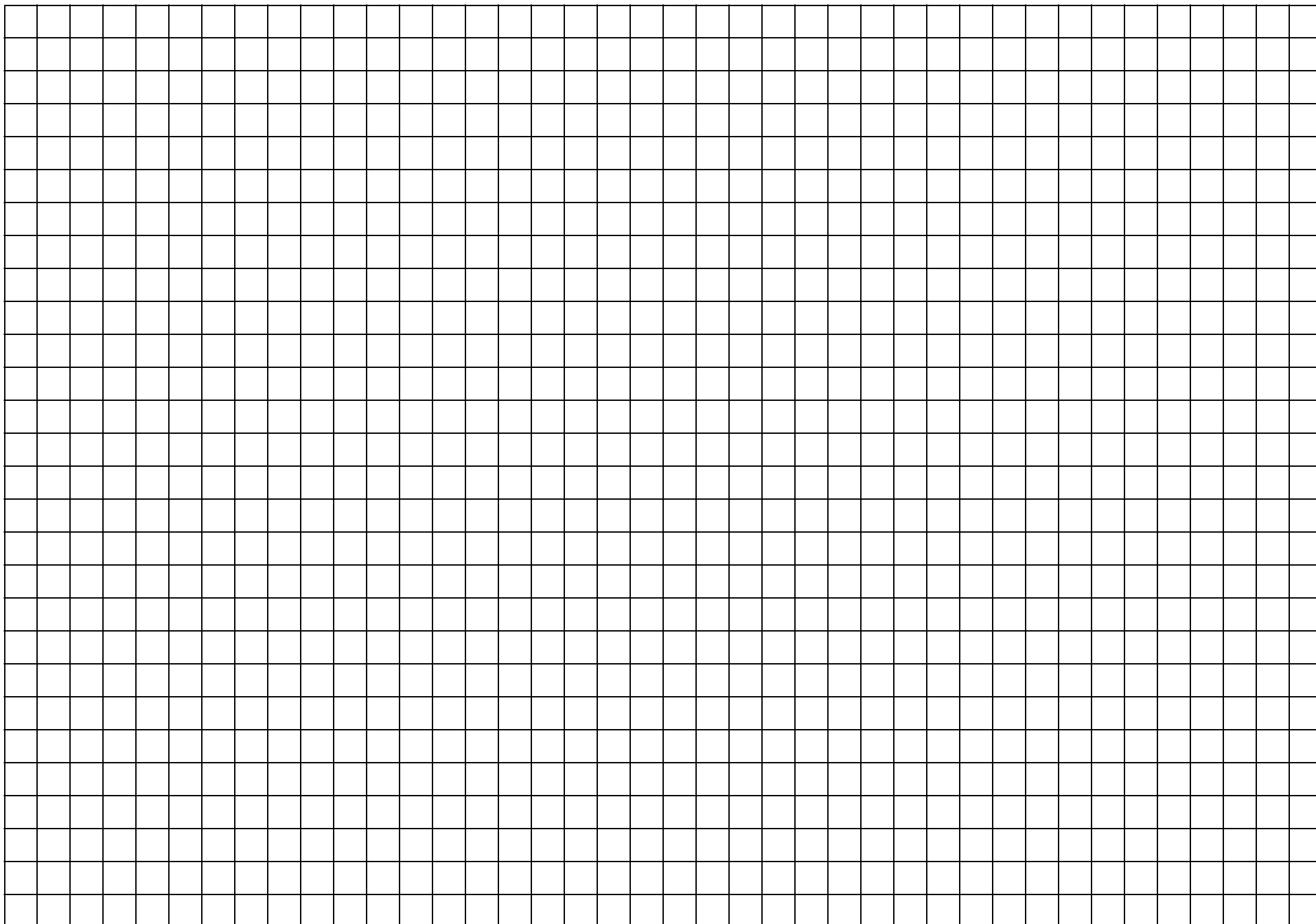


STAR FLEET

SHIPS OF THE STARFLEET PRINTING OFFICE

BY NEALE DAVIDSON—BASED ON THE WORKS OF ARIDAS SOFIA AND TODD GUENTHER



STAR FLEET

SHIPS OF THE STAR FLEET PRINTING OFFICE

FEDERATION CLASSIFIED

THIS MANUAL IS FOR THE SPECIFIC USE OF STAR FLEET ACADEMY CADETS AND CONTAINS SELECTED MATERIAL FROM THE DATA BANKS OF THE MASTER COMPUTER. UNDER THE LAWS OF THE UNITED FEDERATION OF PLANETS AND ITS MEMBER PLANETS: UNAUTHORIZED USE, OR REPRODUCTION, IN WHOLE OR IN PART, OF THESE TECHNICAL ORDERS OR ANY SUBSEQUENTLY ISSUED, WITHOUT THE WRITTEN PERMISSION OF STAR FLEET OR ITS PLANETARY AGENTS IS STRICTLY PROHIBITED.

**TRAINING COMMAND
STAR FLEET ACADEMY**

OFFICIAL VERSION FOR CADETS FROM
UNITED NATIONS, EARTH, SOL SYSTEM



STAR FLEET

SHIPS OF THE STARFLEET PRINTING OFFICE

SHIPS OF THE STARFLEET PRINTING OFFICE

THE "SHIPS OF THE STARFLEET PRINTING OFFICE" IS A HARD FORMAT COMPILATION OF FEDERATION TECHNICAL ORDERS, ARTICLES, AND OTHER WORKS ISSUED BY STAR FLEET COMMAND FOR USE IN THEIR TRAINING PROGRAMS. THE ARTICLES SO PUBLISHED HEREIN ARE FOR FAMILIARIZATION PURPOSES AND ARE AVAILABLE TO TRAINEES, INSTRUCTORS, AND ENTHUSIASTS WITH APPROPRIATE SECURITY CLEARANCE.

ATTENTION: CERTAIN MATERIAL CONTAINED HEREIN IS CLASSIFIED AS SECURITY LEVEL TWO BY STAR FLEET COMMAND AND THE BUREAU OF INTELLIGENCE. UNAUTHORIZED USE OF SUCH MATERIAL IS PUNISHABLE BY COURT MARTIAL, IMPRISONMENT, OR OTHER MEASURES DEPENDING ON PLANETARY LAWS AS STIPULATED BY TREATY.

CHIEF EDITOR:

NEALE DAVIDSON, CIVILIAN ADVISOR, MASTERCOM
[WWW.PIXELSAGAS.COM]

MEMORY ALPHA AND STARFLEET MASTERCOM CATALOGING DATA:
UFP/SFD DTA RS:480374-1

COPYRIGHT ©2006-2008 NEALE DAVIDSON

MATERIAL HEREIN BASED ON MATERIAL WITHIN:

STAR TREK BLUEPRINTS ©1972 BALLANTINE BOOKS

STAR TREK TECHNICAL MANUAL ©1975 BALLANTINE BOOKS

FEDERATION REFERENCE SERIES: ©VARIOUS STAR FLEET PRINTING OFFICE

THIS DOCUMENT HAS BEEN ESTABLISHED FOR INFORMATIONAL AND ENTERTAINMENT PURPOSES ONLY. NO INFRINGEMENT OF COPYRIGHT OR TRADEMARK IS INTENDED.

FOR MICHEAL G. DAVIDSON

STARFLEET TECHNICAL ORDER

AUTHENTICATED STARDATE 741127

RS: 480374-1

TO V01.5

THIS PAGE INTENTIONALLY LEFT BLANK

FEDERATION DESTROYER

POMPEY CLASS STARSHIPS

PARTICULARS:

DEADWEIGHT TONNAGE	133,000MT
STD. RANGE	8 YEARS AT L.Y.V.
MAX. SAFE CRUISING SPEED	W/F 7
EMERGENCY SPEED	W/F 11
COLLIMATOR PHASERS	NONE
STANDARD PHASERS	6 BANKS / 2 EACH
PHOTON TORPEDOES	2 LAUNCHERS
LENGTH [OVERALL]	234M
BREADTH [OVERALL]	141M
HEIGHT [OVERALL]	49M
PRIMARY HULL DIAMETER	N/A
PROPULSION UNIT LENGTH [OVERALL]	155M
PROPULSION UNIT BEAM [OVERALL]	13M

STANDARD SHIP'S COMPLEMENT:

OFFICERS [COMMAND]	20
CREW [ENSIGN GRADE]	180

THE FOLLOWING SHIPS OF THE POMPEY CLASS WERE AUTHORIZED BY STAR FLEET APPROPRIATION OF STARDATE 6800:

NCC-506	USS POMPEY*	NCC-516	USS HASHISHIYUN
NCC-507	USS KUBLAI	NCC-517	USS AZRAEL
NCC-508	USS SULEIMAN	NCC-518	USS HAMILCAR
NCC-513	USS AHIRMAN		

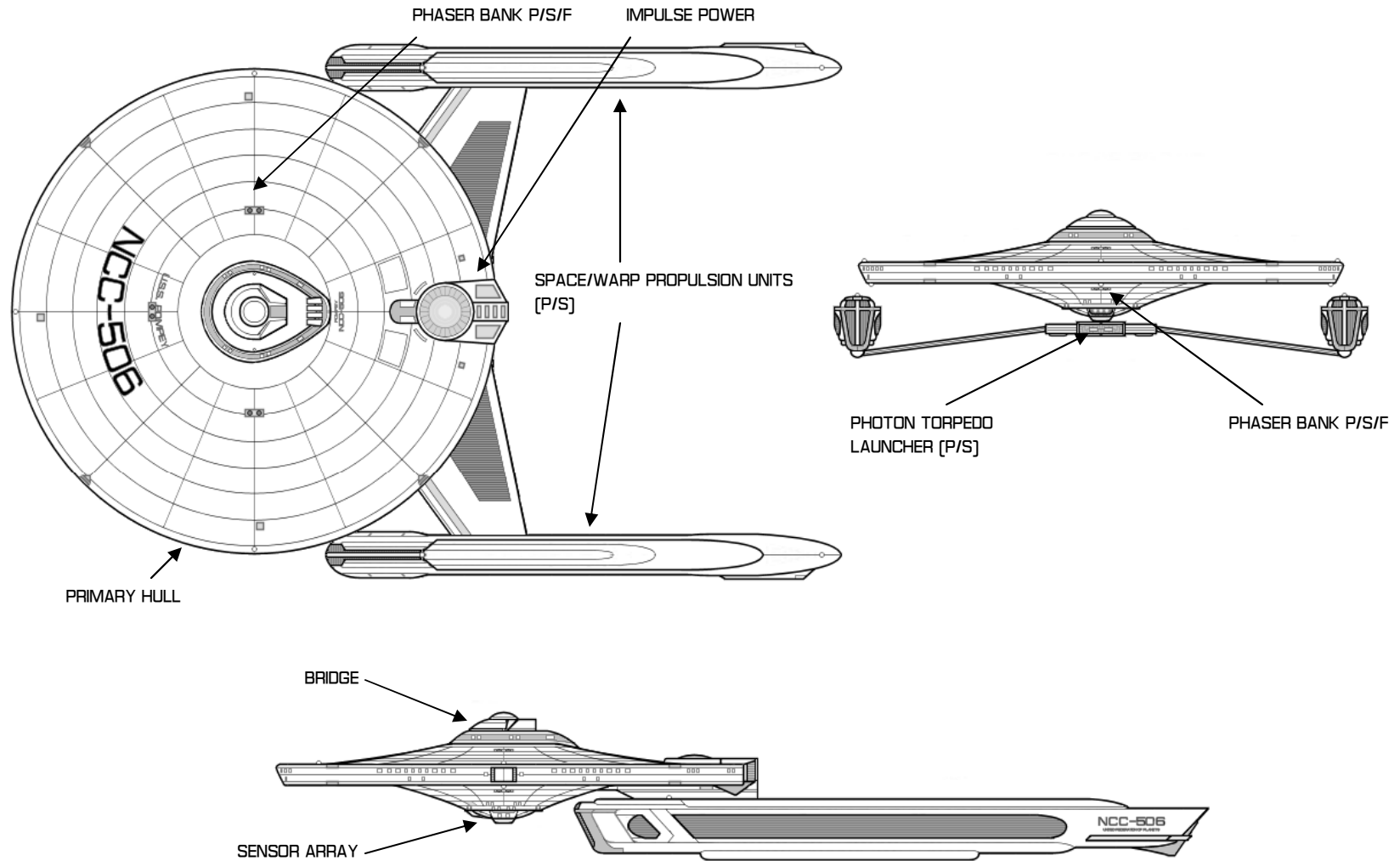
*CLASS SHIP

STARFLEET TECHNICAL ORDER

AUTHENTICATED STARDATE 7411.27

RS: 480374-1

TO V01:7



SEE BOOKLET OF GENERAL PLANS FOR DETAILS

FEDERATION SCOUT

DIANA CLASS STARSHIPS

PARTICULARS:

DEADWEIGHT TONNAGE	131,000MT
STD. RANGE	8 YEARS AT L.Y.V.
MAX. SAFE CRUISING SPEED	W/F 7
EMERGENCY SPEED	W/F 11
COLLIMATOR PHASERS	NONE
STANDARD PHASERS	1 BANKS / 2 EACH
PHOTON TORPEDOES	NONE
LENGTH [OVERALL]	234M
BREADTH [OVERALL]	141M
HEIGHT [OVERALL]	49M
PRIMARY HULL DIAMETER	N/A
PROPULSION UNIT LENGTH [OVERALL]	155M
PROPULSION UNIT BEAM [OVERALL]	13M

STANDARD SHIP'S COMPLEMENT:

OFFICERS [COMMAND]	20
CREW [ENSIGN GRADE]	180

THE FOLLOWING SHIPS OF THE *DIANA* CLASS WERE AUTHORIZED BY STAR FLEET APPROPRIATION OF STARDATE 6800:

NCC-589	USS DIANA*	NCC-596	USS SPAKER
NCC-592	USS CARSON	NCC-599	USS TONTI
NCC-593	USS BATIDOR	NCC-600	USS CROCKETT

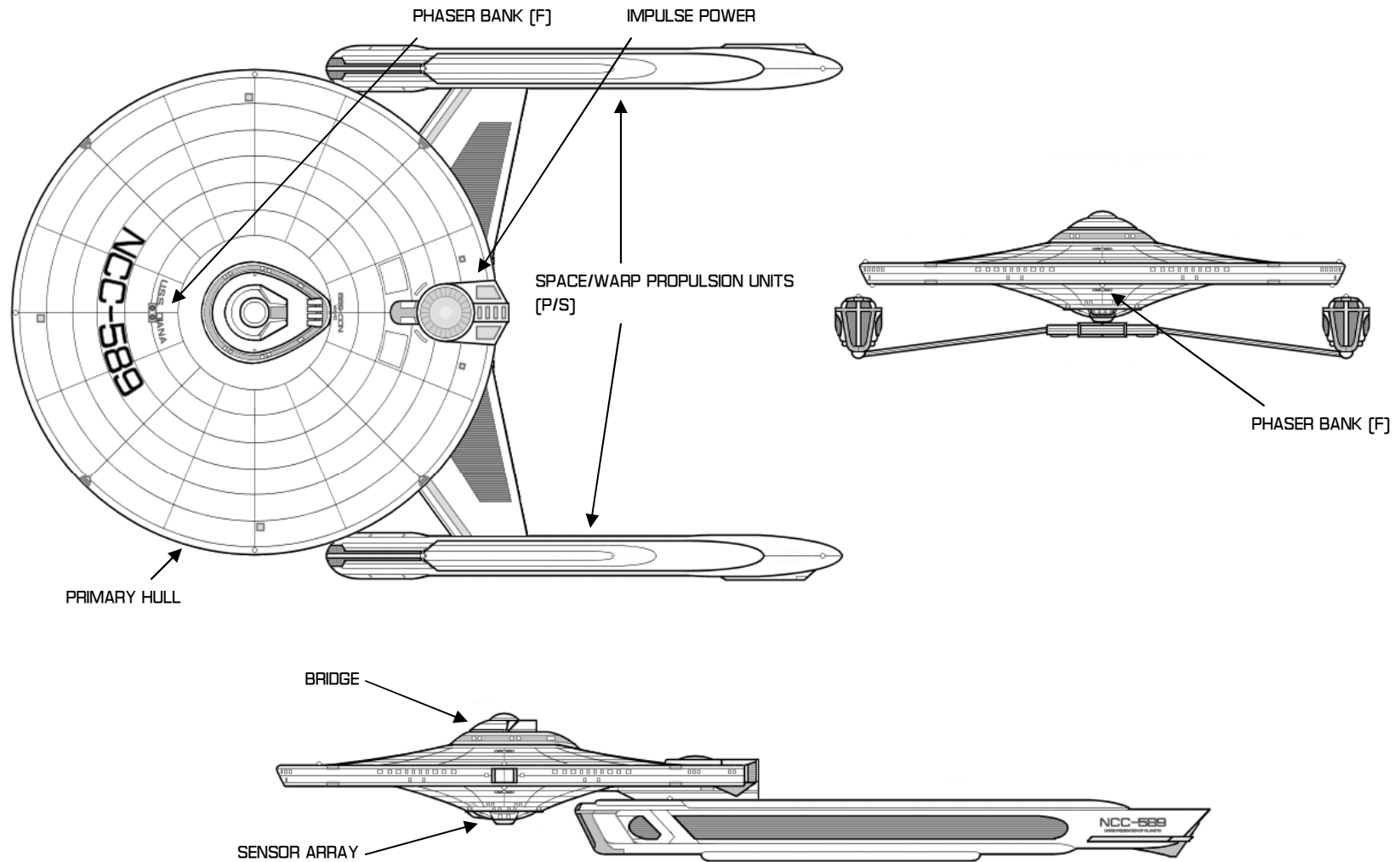
*CLASS SHIP

STARFLEET TECHNICAL ORDER

AUTHENTICATED STARDATE 7411.27

RS: 480374-1

TO V01.9



SEE BOOKLET OF GENERAL PLANS FOR DETAILS

FEDERATION HEAVY CRUISER

ENTERPRISE CLASS STARSHIPS

PARTICULARS:

DEADWEIGHT TONNAGE	215,000MT
STD. RANGE	22 YEARS AT L.Y.V.
MAX. SAFE CRUISING SPEED	W/F 8
EMERGENCY SPEED	W/F 12
COLLIMATOR PHASERS	NONE
STANDARD PHASERS	5 BANKS / 2 EACH
PHOTON TORPEDOES	2 LAUNCHERS
LENGTH [OVERALL]	305M
BREADTH [OVERALL]	141M
HEIGHT [OVERALL]	71M
PRIMARY HULL DIAMETER	141M
PROPULSION UNIT LENGTH [OVERALL]	155M
PROPULSION UNIT BEAM [OVERALL]	13M

STANDARD SHIP'S COMPLEMENT:

OFFICERS [COMMAND]	72
CREW [ENSIGN GRADE]	428

THE FOLLOWING SHIPS OF THE ENTERPRISE CLASS WERE AUTHORIZED BY STAR FLEET APPROPRIATION OF STARDATE 6800:

NCC-1701	USS ENTERPRISE* **	NCC-1706	USS EXETER
NCC-1702	USS FARRAGUT	NCC-1707	USS HOOD**
NCC-1703	USS LEXINGTON	NCC-1722	USS EL DORADO
NCC-1705	USS EXCALIBUR	NCC-1726	USS KREIGER

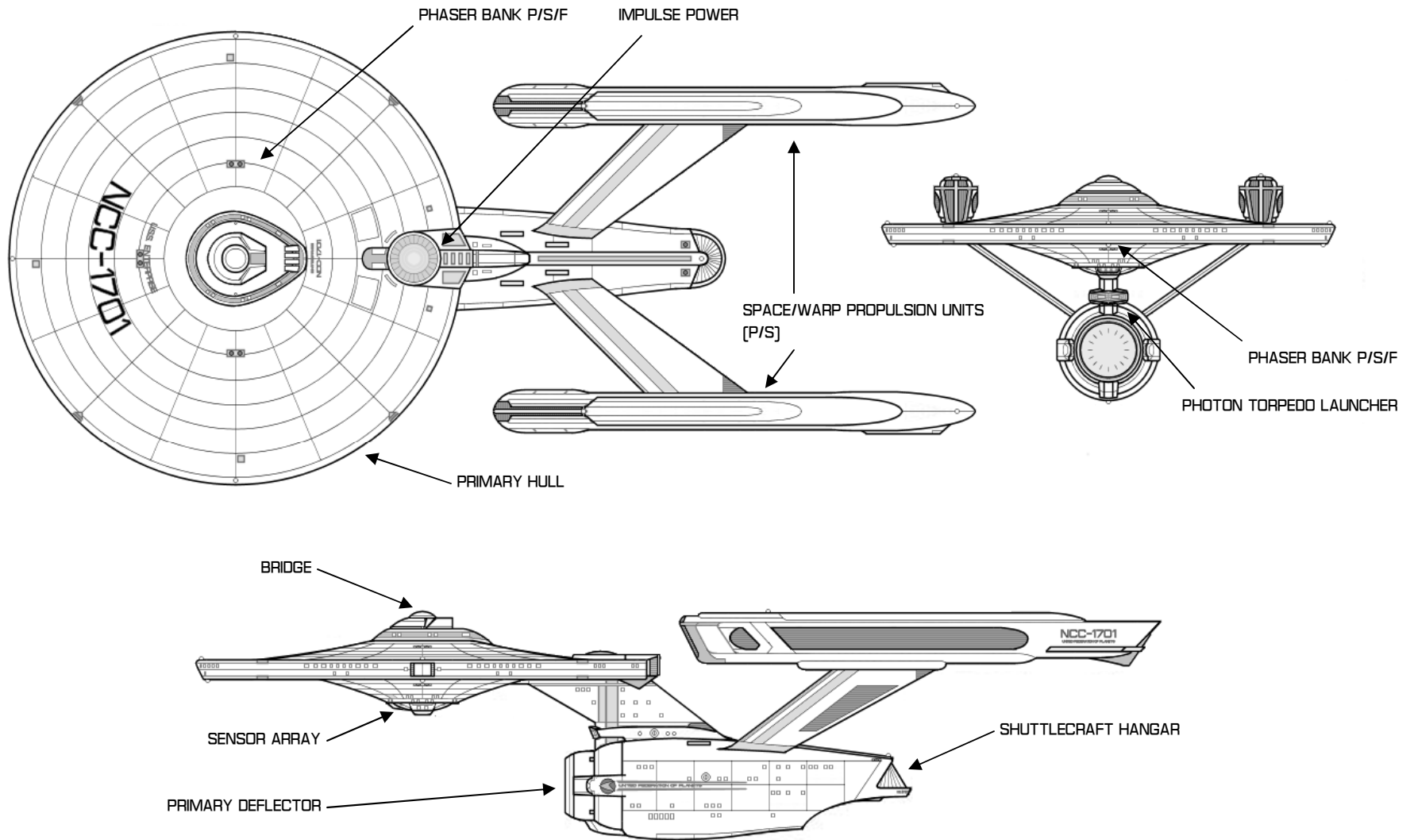
*CLASS SHIP / ** LOST IN THE LINE OF DUTY

STARFLEET TECHNICAL ORDER

AUTHENTICATED STARDATE 8121.29

RS: 480374-1

TO V01:11



SEE BOOKLET OF GENERAL PLANS FOR DETAILS

FEDERATION HEAVY FRIGATE

AVENGER CLASS STARSHIPS

PARTICULARS:

DEADWEIGHT TONNAGE	156,000MT
STD. RANGE	20 YEARS AT L.Y.V.
MAX. SAFE CRUISING SPEED	W/F 7
EMERGENCY SPEED	W/F 11
COLLIMATOR PHASERS	2 ARRAYS
STANDARD PHASERS	3 BANKS / 2 EACH
PHOTON TORPEDOES	4 LAUNCHERS
LENGTH [OVERALL]	236M
BREADTH [OVERALL]	141M
HEIGHT [OVERALL]	68M
PRIMARY HULL DIAMETER	141M
PROPULSION UNIT LENGTH [OVERALL]	155M
PROPULATION UNIT BEAM [OVERALL]	13M

STANDARD SHIP'S COMPLEMENT:

OFFICERS [COMMAND]	91
CREW [ENSIGN GRADE]	269

THE FOLLOWING SHIPS OF THE AVENGER CLASS WERE AUTHORIZED BY STAR FLEET APPROPRIATION OF STARDATE 6900:

NCC-1860	USS AVENGER*	NCC-1871	USS DARDANIUS
NCC-1861	USS COURAGEOUS	NCC-1872	USS HIPPOLYTA
NCC-1862	USS ENDURANCE	NCC-1873	USS MELKOTIA
NCC-1863	USS ILLUSTRIOUS	NCC-1874	USS SARPEIDON
NCC-1864	USS RELIANT**	NCC-1875	USS ODIN
NCC-1865	USS VIGILANT	NCC-1876	USS NAR-TAK SHIR
NCC-1866	USS DROMID	NCC-1877	USS RESOLUTION
NCC-1867	USS BALTHASAR	NCC-1878	USS POLONIUS
NCC-1868	USS ARDANA	NCC-1879	USS YONADA
NCC-1869	USS AMIENS	NCC-1880	USS OBERON
NCC-1870	USS ANTIPHOLLUS	NCC-1881	USS ALACRITY

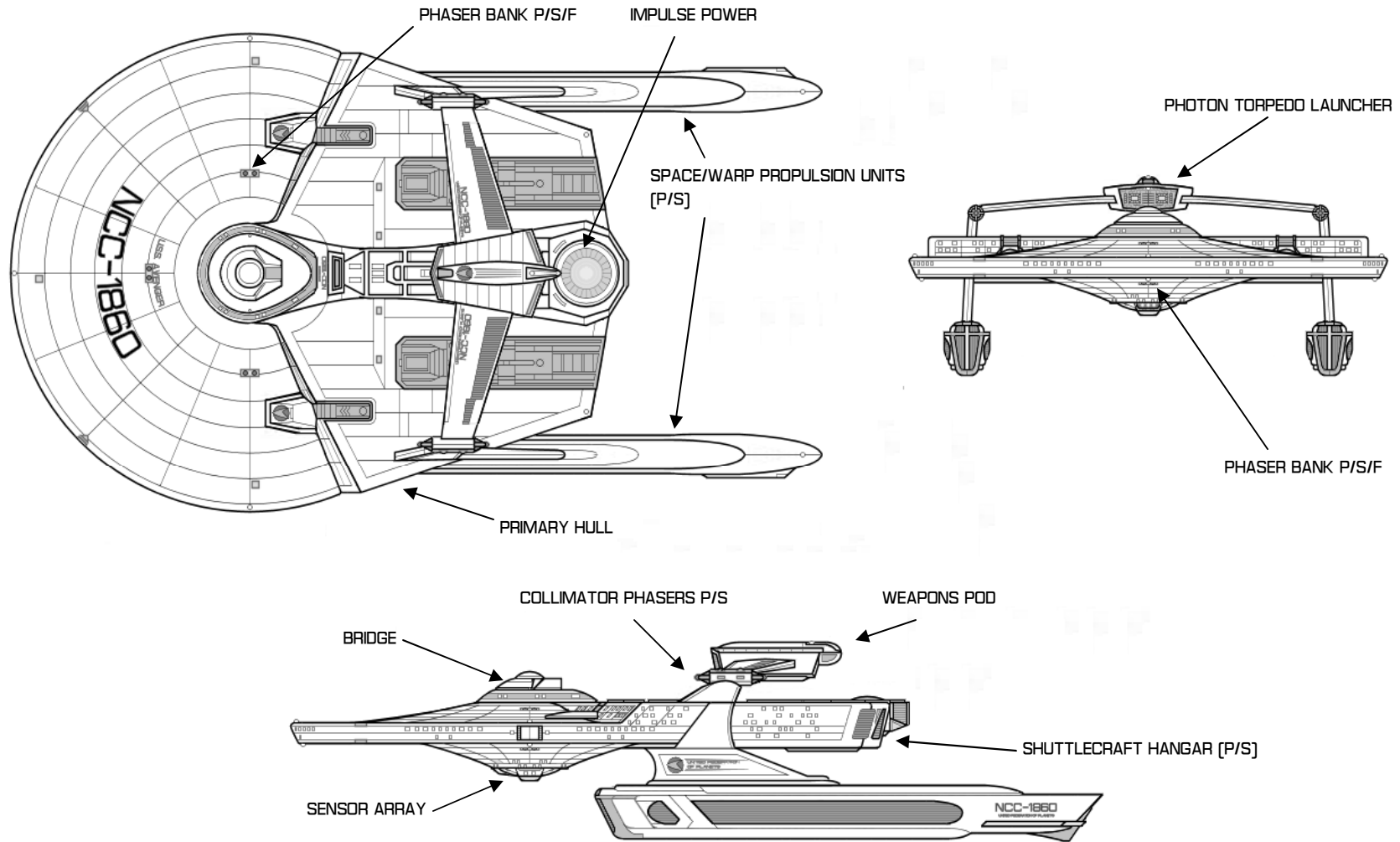
*CLASS SHIP / ** LOST IN THE LINE OF DUTY

STARFLEET TECHNICAL ORDER

AUTHENTICATED STARDATE 8121.29

RS: 480374-1

TO V01:13



SEE BOOKLET OF GENERAL PLANS FOR DETAILS

FEDERATION HEAVY FRIGATE

CYANE CLASS STARSHIPS

PARTICULARS:

DEADWEIGHT TONNAGE	156,000MT
STD. RANGE	20 YEARS AT L.Y.V.
MAX. SAFE CRUISING SPEED	W/F 7
EMERGENCY SPEED	W/F 11
COLLIMATOR PHASERS	2 ARRAYS
STANDARD PHASERS	3 BANKS / 2 EACH
PHOTON TORPEDOES	4 LAUNCHERS
LENGTH [OVERALL]	236M
BREADTH [OVERALL]	141M
HEIGHT [OVERALL]	68M
PRIMARY HULL DIAMETER	141M
PROPULSION UNIT LENGTH [OVERALL]	155M
PROPULSION UNIT BEAM [OVERALL]	13M

STANDARD SHIP'S COMPLEMENT:

OFFICERS [COMMAND]	87
CREW [ENSIGN GRADE]	268

THE FOLLOWING SHIPS OF THE *CYANE* CLASS WERE AUTHORIZED BY STAR FLEET APPROPRIATION OF STARDATE 6800:

NCC-1890	USS CYANE*	NCC-1895	USS CONSTELLATION
NCC-1891	USS REPOSE	NCC-1896	USS REPRISAL
NCC-1892	USS SARATOGA	NCC-1897	USS TORESTA
NCC-1893	USS TECUMSEH	NCC-1898	USS SUMTER
NCC-1894	USS SAVANNAH	NCC-1899	USS AUGUSTE

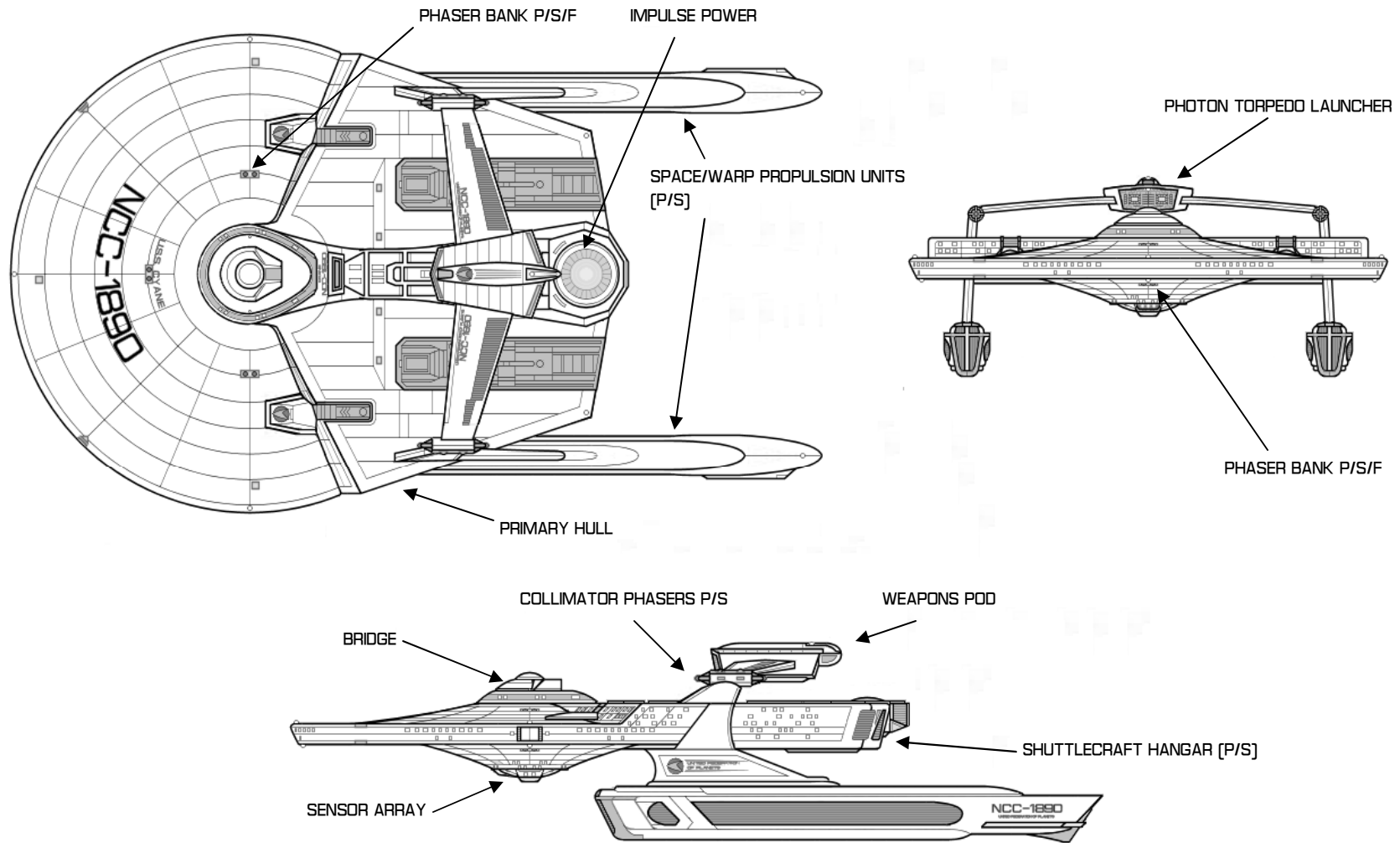
*CLASS SHIP / ** LOST IN THE LINE OF DUTY

STARFLEET TECHNICAL ORDER

AUTHENTICATED STARDATE 7411.27

RS: 480374-1

TO V01:15



SEE BOOKLET OF GENERAL PLANS FOR DETAILS

FEDERATION FRIGATE

KNOX CLASS STARSHIPS

PARTICULARS:

DEADWEIGHT TONNAGE	139,000MT
STD. RANGE	19 YEARS AT L.Y.V.
MAX. SAFE CRUISING SPEED	W/F 7
EMERGENCY SPEED	W/F 11
COLLIMATOR PHASERS	2 ARRAYS
STANDARD PHASERS	3 BANKS / 2 EACH
PHOTON TORPEDOES	NONE
LENGTH [OVERALL]	243M
BREADTH [OVERALL]	141M
HEIGHT [OVERALL]	53M
PRIMARY HULL DIAMETER	141M
PROPULSION UNIT LENGTH [OVERALL]	155M
PROPULATION UNIT BEAM [OVERALL]	13M

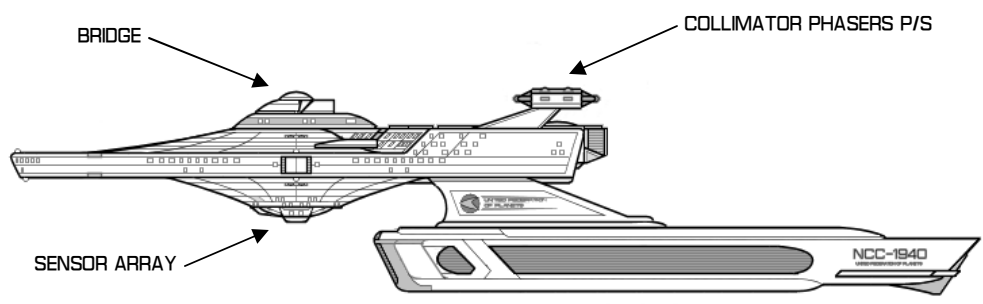
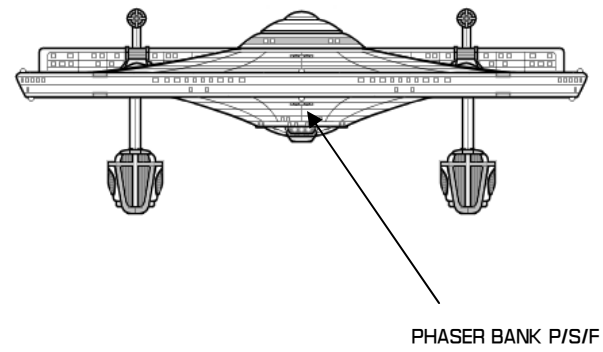
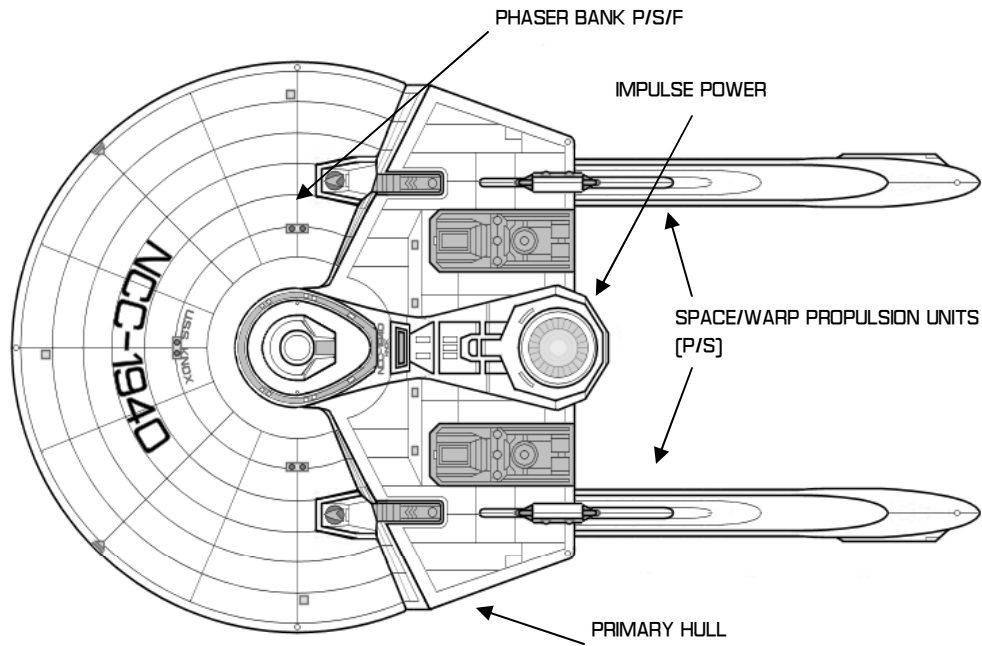
STANDARD SHIP'S COMPLEMENT:

OFFICERS [COMMAND]	90
CREW [ENSIGN GRADE]	260

THE FOLLOWING SHIPS OF THE KNOX CLASS WERE AUTHORIZED BY STAR FLEET APPROPRIATION OF STARDATE 6800:

NCC-1940	USS KNOX*	NCC-1953	USS ABILITY
NCC-1941	USS BIR. HAKEIM	NCC-1954	USS PICO
NCC-1942	USS SEMESCHAL	NCC-1955	USS INCHARRON
NCC-1943	USS ENHANCE	NCC-1956	USS DILIGENCE
NCC-1944	USS ASTURIAS	NCC-1957	USS ATREVIDA
NCC-1945	USS KIRI	NCC-1958	USS SWIFT
NCC-1946	USS OPPORTUNE	NCC-1959	USS PELELIU
NCC-1947	USS SIVRIHISAR	NCC-1960	USS MATAPAN
NCC-1948	USS LE MALIN	NCC-1961	USS ESPADOON
NCC-1949	USS THACH	NCC-1962	USS SKATE
NCC-1950	USS SPRINGEREN	NCC-1963	USS MIRAMICHI
NCC-1951	USS CASSIOPEE	NCC-1964	USS UTSIRA
NCC-1952	USS KAYA	NCC-1965	USS CARRON

*CLASS SHIP



SEE BOOKLET OF GENERAL PLANS FOR DETAILS

FEDERATION DREADNOUGHT

FEDERATION CLASS [U] STARSHIPS

PARTICULARS:

DEADWEIGHT TONNAGE	276,500MT
STD. RANGE	19 YEARS AT L.Y.V.
MAX. SAFE CRUISING SPEED	W/F 11
EMERGENCY SPEED	W/F 15
COLLIMATOR PHASERS	NONE
STANDARD PHASERS	7 BANKS / 2 EACH
PHOTON TORPEDOES	3 LAUNCHERS
LENGTH [OVERALL]	307M
BREADTH [OVERALL]	141M
HEIGHT [OVERALL]	83M
PRIMARY HULL DIAMETER	141M
PROPULSION UNIT LENGTH [OVERALL]	155M
PROPULSION UNIT BEAM [OVERALL]	13M

STANDARD SHIP'S COMPLEMENT:

OFFICERS [COMMAND]	70
CREW [ENSIGN GRADE]	430

THE FOLLOWING SHIPS OF THE *FEDERATION* CLASS [U] WERE AUTHORIZED BY STAR FLEET APPROPRIATION OF STARDATE 6800:

NCC-2100	USS FEDERATION*	NCC-2106	USS KONKORDIUM
NCC-2101	USS STAR LEAGUE	NCC-2107	USS STAR SYSTEM
NCC-2102	USS UNIFICATUM	NCC-2108	USS AFFILIATION
NCC-2103	USS COMPACTAT	NCC-2109	USS CONCORDAT
NCC-2104	USS CORPORATION		

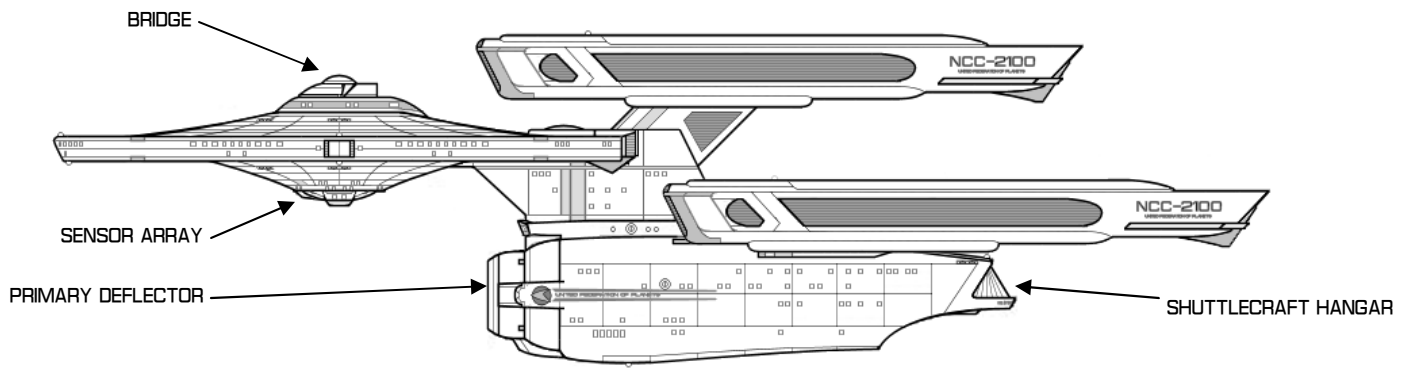
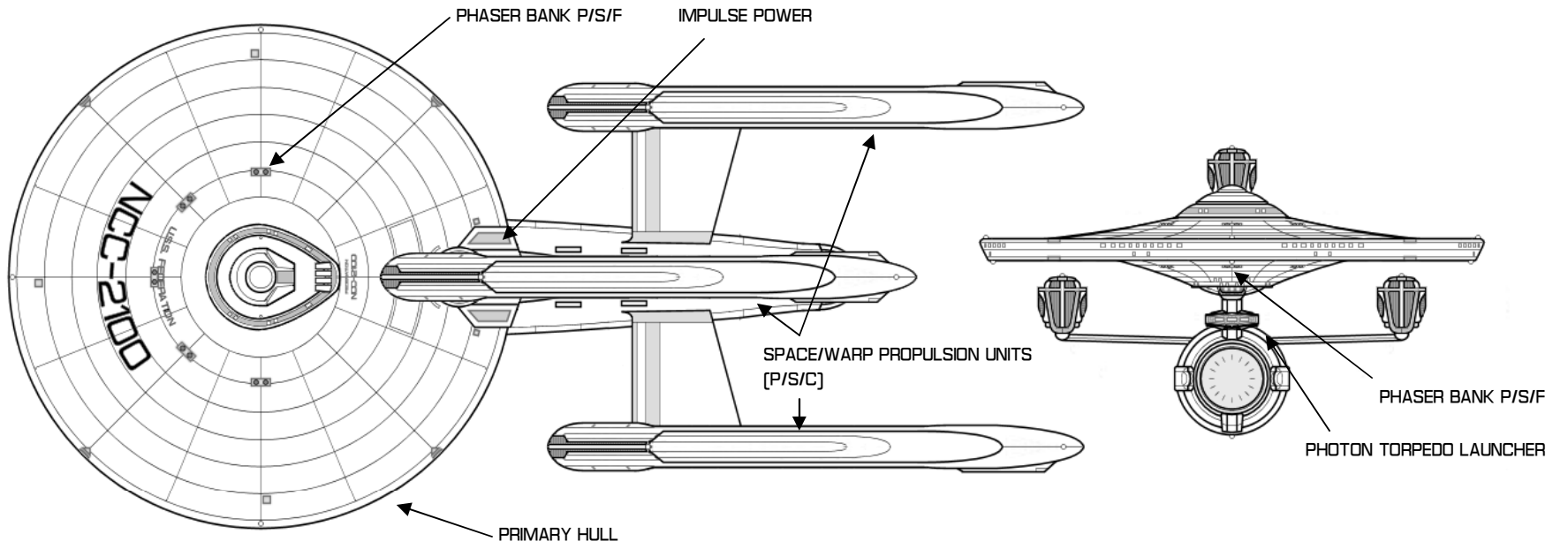
*CLASS SHIP

STARFLEET TECHNICAL ORDER

AUTHENTICATED STARDATE 8121.29

RS: 480374-1

TO V01:19



SEE BOOKLET OF GENERAL PLANS FOR DETAILS

FEDERATION COMMAND CRUISER

BALSON CLASS STARSHIPS

PARTICULARS:

DEADWEIGHT TONNAGE	247,500MT
STD. RANGE	20 YEARS AT L.Y.V.
MAX. SAFE CRUISING SPEED	W/F 8
EMERGENCY SPEED	W/F 12
COLLIMATOR PHASERS	NONE
STANDARD PHASERS	5 BANKS / 2 EACH
PHOTON TORPEDOES	2 LAUNCHERS
LENGTH [OVERALL]	289M
BREADTH [OVERALL]	141M
HEIGHT [OVERALL]	71M
PRIMARY HULL DIAMETER	141M
PROPULSION UNIT LENGTH [OVERALL]	155M
PROPULSION UNIT BEAM [OVERALL]	13M

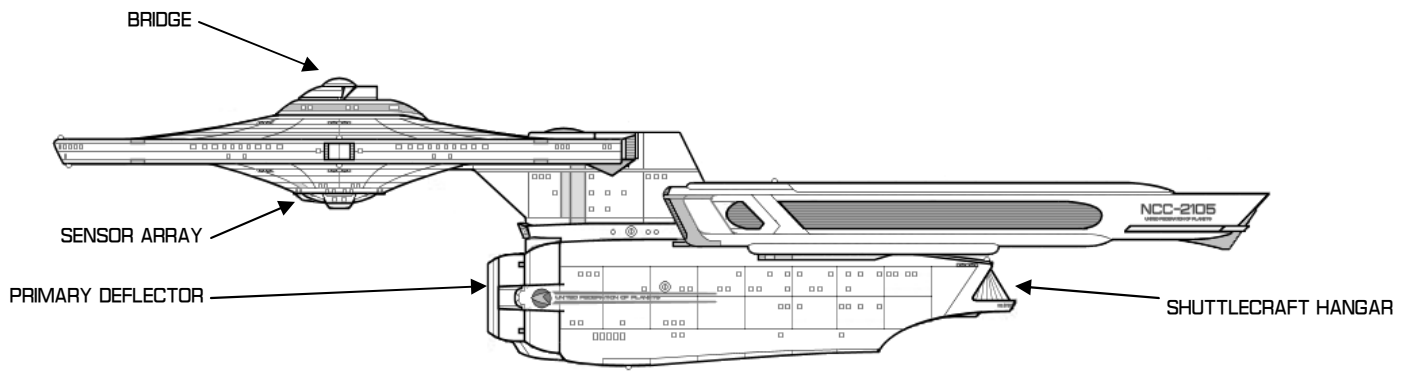
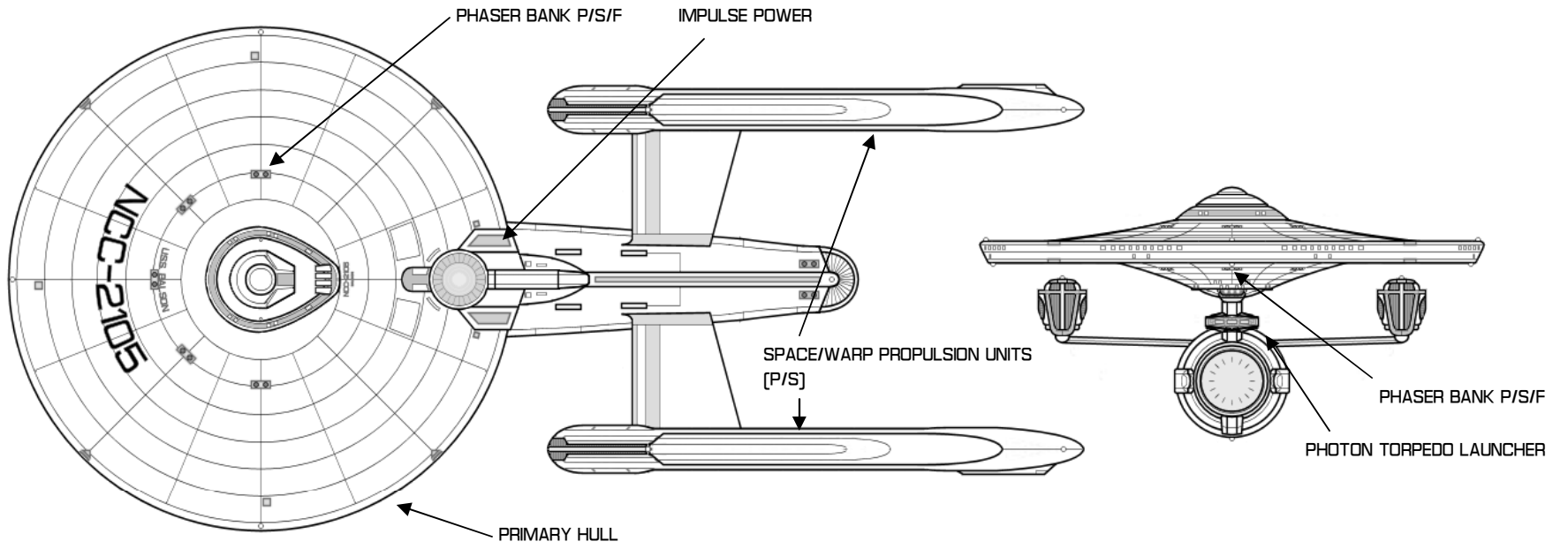
STANDARD SHIP'S COMPLEMENT:

OFFICERS [COMMAND]	65
CREW [ENSIGN GRADE]	420

THE FOLLOWING SHIPS OF THE *BALSON* CLASS WERE AUTHORIZED BY STAR FLEET
APPROPRIATION OF STARDATE 6800:

NCC-2105 USS BALSON*

*CLASS SHIP



SEE BOOKLET OF GENERAL PLANS FOR DETAILS

FEDERATION CORVETTE

DARING CLASS STARSHIPS

PARTICULARS:

DEADWEIGHT TONNAGE	72,000MT
STD. RANGE	8 YEARS AT L.Y.V.
MAX. SAFE CRUISING SPEED	W/F 7
EMERGENCY SPEED	W/F 11
COLLIMATOR PHASERS	NONE
STANDARD PHASERS	1 BANKS / 2 EACH
PHOTON TORPEDOES	NONE
LENGTH [OVERALL]	220M
BREADTH [OVERALL]	86M
HEIGHT [OVERALL]	53M
PRIMARY HULL DIAMETER	N/A
PROPULSION UNIT LENGTH [OVERALL]	155M
PROPULSION UNIT BEAM [OVERALL]	13M

STANDARD SHIP'S COMPLEMENT:

OFFICERS [COMMAND]	50
CREW [ENSIGN GRADE]	120

THE FOLLOWING SHIPS OF THE *DARING* CLASS WERE AUTHORIZED BY STAR FLEET APPROPRIATION OF STARDATE 6800:

NCC-2394	USS DARING*	NCC-2403	USS DRUID
NCC-2395	USS DANAE	NCC-2404	USS DELIGHT
NCC-2396	USS DEMON	NCC-2405	USS DUCHESS
NCC-2397	USS DESIRE	NCC-2406	USS DECOY
NCC-2398	USS DESPERATE	NCC-2407	USS DIAMOND
NCC-2399	USS DOUGHTY	NCC-2408	USS DAINY
NCC-2400	USS DISDAIN	NCC-2409	USS DALRIADA
NCC-2401	USS DOGSTAR	NCC-2410	USS DEVEREAUX
NCC-2402	USS DRAGON	NCC-2411	USS DELBORA

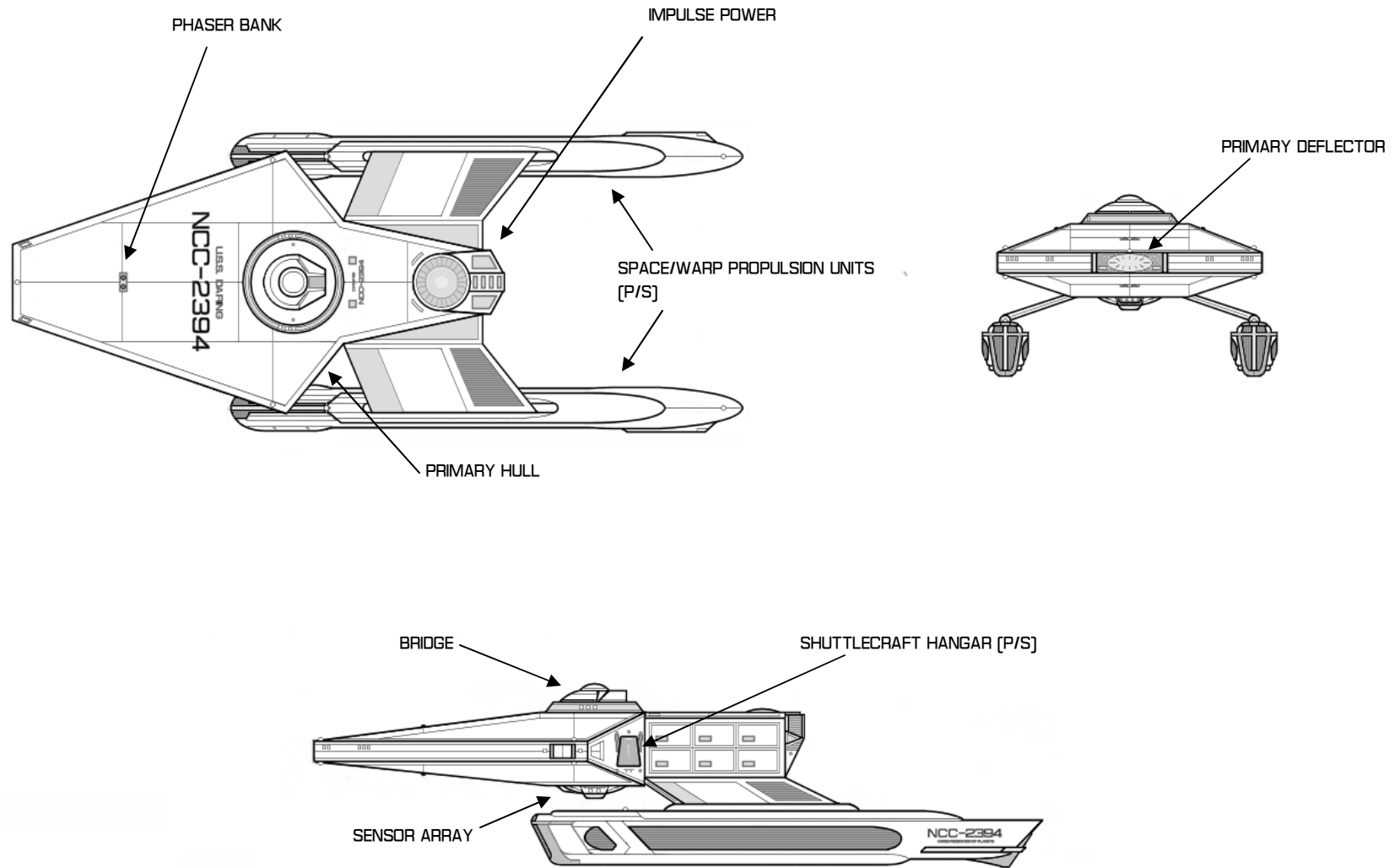
*CLASS SHIP

STARFLEET TECHNICAL ORDER

AUTHENTICATED STARDATE 7411.27

RS: 480373-1

TO V01.23



SEE BOOKLET OF GENERAL PLANS FOR DETAILS

FEDERATION STRIKE CRUISER

BELKNAP CLASS STARSHIPS

PARTICULARS:

DEADWEIGHT TONNAGE	191500MT
STD. RANGE	20 YEARS AT L.Y.V.
MAX. SAFE CRUISING SPEED	W/F 8
EMERGENCY SPEED	W/F 12
COLLIMATOR PHASERS	NONE
STANDARD PHASERS	5 BANKS / 2 EACH
PHOTON TORPEDOES	2 LAUNCHERS
LENGTH [OVERALL]	290M
BREADTH [OVERALL]	141M
HEIGHT [OVERALL]	68M
PRIMARY HULL DIAMETER	141M
PROPULSION UNIT LENGTH [OVERALL]	155M
PROPULSION UNIT BEAM [OVERALL]	13M

STANDARD SHIP'S COMPLEMENT:

OFFICERS [COMMAND]	55
CREW [ENSIGN GRADE]	340

THE FOLLOWING SHIPS OF THE *BELKNAP* CLASS WERE AUTHORIZED BY STAR FLEET APPROPRIATION OF STARDATE 6900:

NCC-2500	USS DECATUR	NCC-2510	USS FAHRION
NCC-2501	USS BELKNAP*	NCC-2511	USS ESTOCIN
NCC-2502	USS BRADLEY	NCC-2512	USS MATSURRA
NCC-2503	USS KHIRIRAT	NCC-2513	USS BAIKAL
NCC-2504	USS HAVERSHAM	NCC-2514	USS HAVEN
NCC-2505	USS SOVEREIGN	NCC-2515	USS BRIZA
NCC-2506	USS CONCORD	NCC-2516	USS MIKUMA
NCC-2507	USS RISHIRI	NCC-2517	USS SHANGRI-LA
NCC-2508	USS ESSAHIR	NCC-2518	USS HAI DRIN
NCC-2509	USS JARRETT	NCC-2519	USS RAAN

THE FOLLOWING SHIPS OF THE *BELKNAP* CLASS WERE AUTHORIZED BY STAR FLEET APPROPRIATION OF STARDATE 7200:

NCC-2537	USS DELPHIN	NCC-2541	USS SUR CHA
NCC-2538	USS SENECA	NCC-2542	USS MIRA
NCC-2539	USS KI RIN	NCC-2543	USS AVELEY
NCC-2540	USS CICALA	NCC-2544	USS ALOR

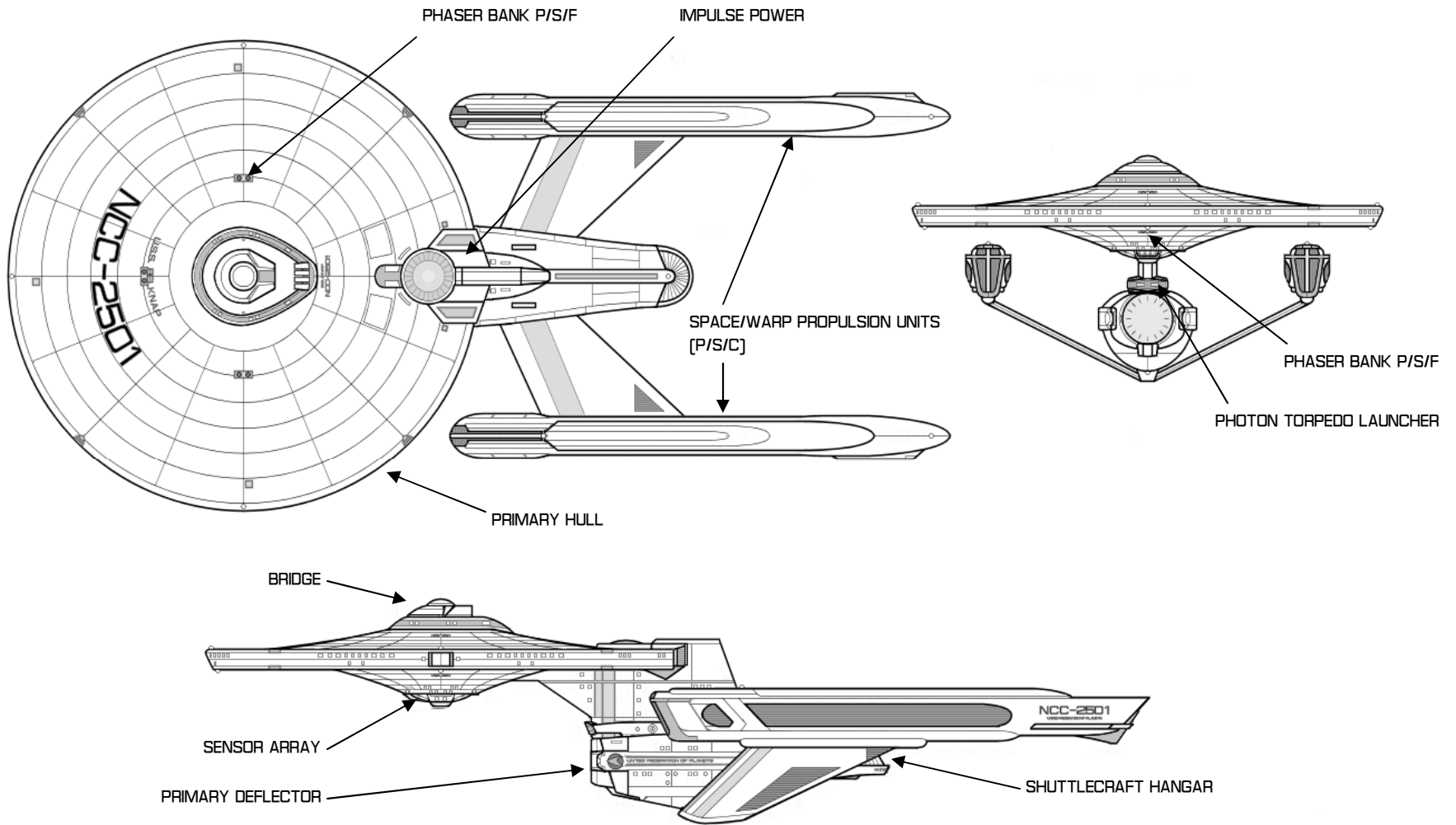
*CLASS SHIP

STARFLEET TECHNICAL ORDER

AUTHENTICATED STARDATE 8121.29

RS: 480374-1

TO V01:25



SEE BOOKLET OF GENERAL PLANS FOR DETAILS

FEDERATION DREADNOUGHT

ASCENSION CLASS STARSHIPS

PARTICULARS:

DEADWEIGHT TONNAGE	247,500MT
STD. RANGE	20 YEARS AT L.Y.V.
MAX. SAFE CRUISING SPEED	W/F 11
EMERGENCY SPEED	W/F 15
COLLIMATOR PHASERS	NONE
STANDARD PHASERS	5 BANKS / 2 EACH
PHOTON TORPEDOES	2 LAUNCHERS
LENGTH [OVERALL]	289M
BREADTH [OVERALL]	141M
HEIGHT [OVERALL]	77M
PRIMARY HULL DIAMETER	141M
PROPULSION UNIT LENGTH [OVERALL]	155M
PROPULSION UNIT BEAM [OVERALL]	13M

STANDARD SHIP'S COMPLEMENT:

OFFICERS [COMMAND]	65
CREW [ENSIGN GRADE]	420

THE FOLLOWING SHIPS OF THE *ASCENSION* CLASS WERE AUTHORIZED BY STAR FLEET APPROPRIATION OF STARDATE 6800:

NCC-2520	USS ASCENSION*	NCC-2105	USS MINSK
NCC-2521	USS LEANDER	NCC-2106	USS HIRYU
NCC-2522	USS NASHUA	NCC-2107	USS CAPODANNO
NCC-2523	USS SUSSEX	NCC-2108	USS TEMPERANCE
NCC-2524	USS TAI SHAN	NCC-2109	USS REPULSE

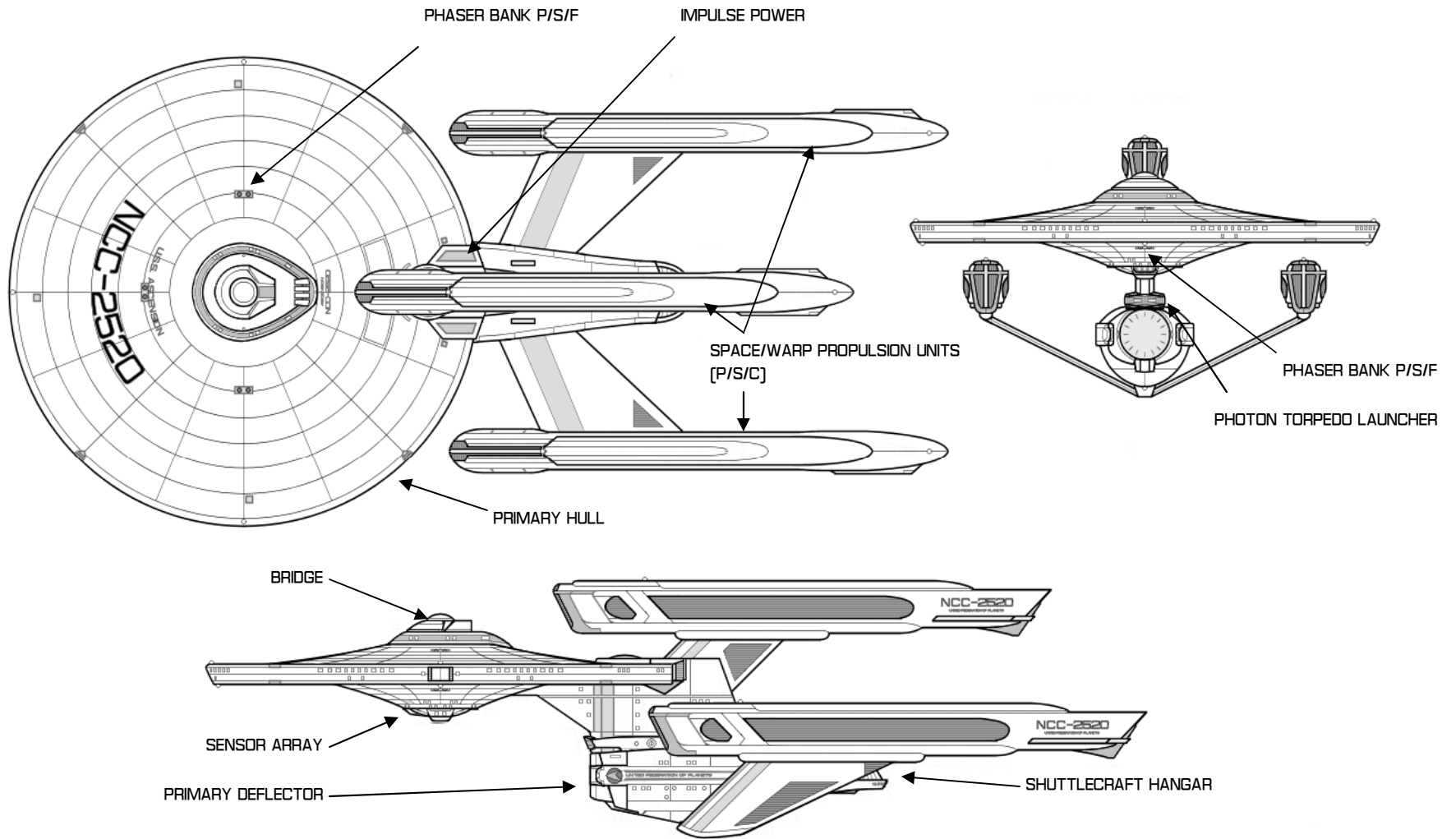
*CLASS SHIP

STARFLEET TECHNICAL ORDER

AUTHENTICATED STARDATE 8121.29

RS: 480374-1

TO V01:27



SEE BOOKLET OF GENERAL PLANS FOR DETAILS

FEDERATION BATTLECRUISER

MENAHGA CLASS STARSHIPS

PARTICULARS:

DEADWEIGHT TONNAGE	175,000MT
STD. RANGE	8 YEARS AT L.Y.V.
MAX. SAFE CRUISING SPEED	W/F 7
EMERGENCY SPEED	W/F 11
COLLIMATOR PHASERS	NONE
STANDARD PHASERS	6 BANKS / 2 EACH
PHOTON TORPEDOES	2 LAUNCHERS
LENGTH [OVERALL]	307M
BREADTH [OVERALL]	141M
HEIGHT [OVERALL]	78M
PRIMARY HULL DIAMETER	141M
PROPULSION UNIT LENGTH [OVERALL]	155M
PROPULSION UNIT BEAM [OVERALL]	13M

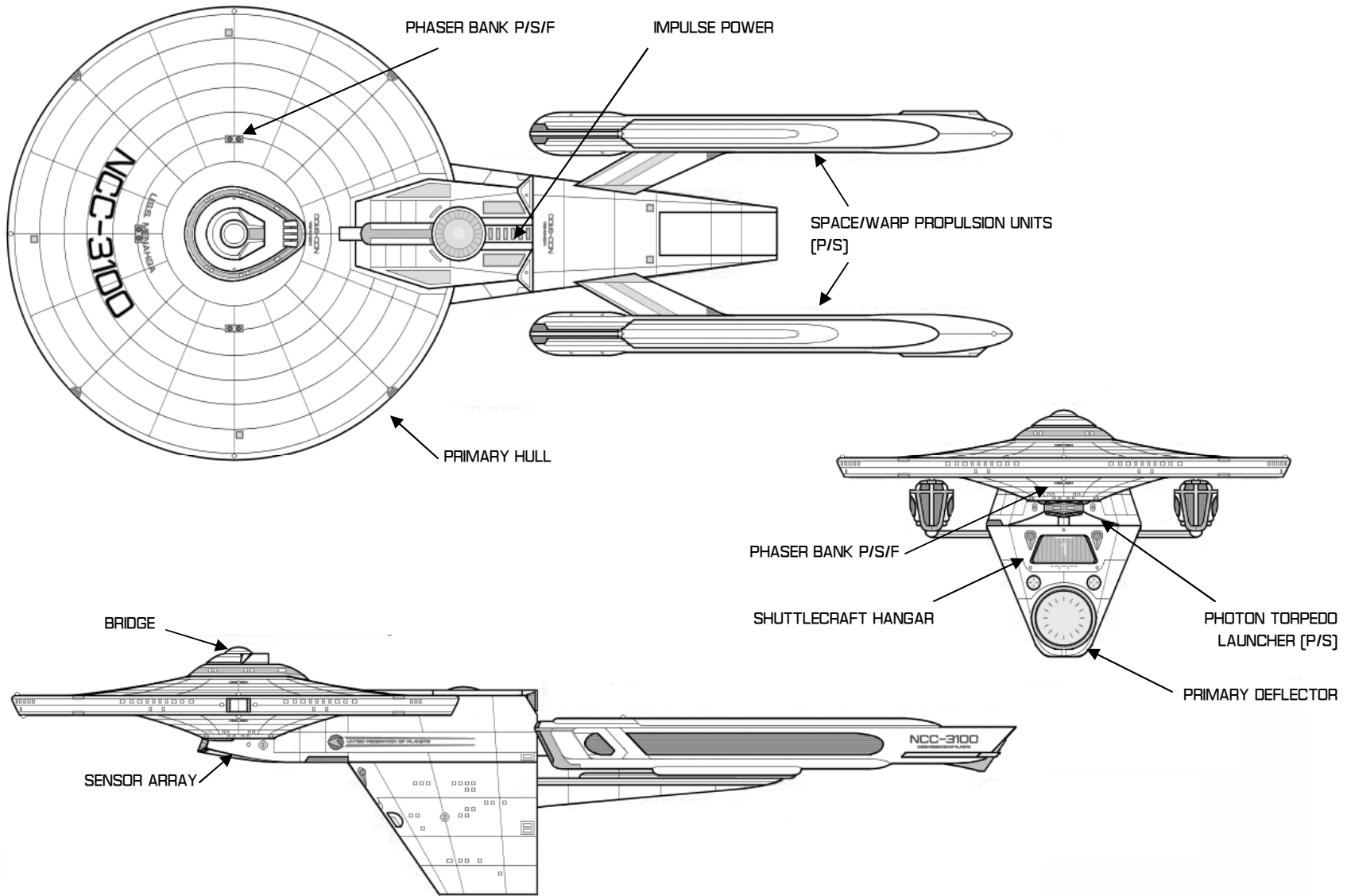
STANDARD SHIP'S COMPLEMENT:

OFFICERS [COMMAND]	55
CREW [ENSIGN GRADE]	340

THE FOLLOWING SHIPS OF THE *MENAHGA* CLASS WERE AUTHORIZED BY STAR FLEET APPROPRIATION OF STARDATE 6800:

NCC-3100	USS MENAHGA*
NCC-3101	USS ARSUF
NCC-3102	USS KORYAK

*CLASS SHIP



SEE BOOKLET OF GENERAL PLANS FOR DETAILS

FEDERATION BATTLECRUISER

MITANNIC CLASS STARSHIPS

PARTICULARS:

DEADWEIGHT TONNAGE	173,000MT
STD. RANGE	8 YEARS AT L.Y.V.
MAX. SAFE CRUISING SPEED	W/F 7
EMERGENCY SPEED	W/F 11
COLLIMATOR PHASERS	NONE
STANDARD PHASERS	6 BANKS / 2 EACH
PHOTON TORPEDOES	2 LAUNCHERS
LENGTH [OVERALL]	307M
BREADTH [OVERALL]	141M
HEIGHT [OVERALL]	78M
PRIMARY HULL DIAMETER	141M
PROPULSION UNIT LENGTH [OVERALL]	155M
PROPULSION UNIT BEAM [OVERALL]	13M

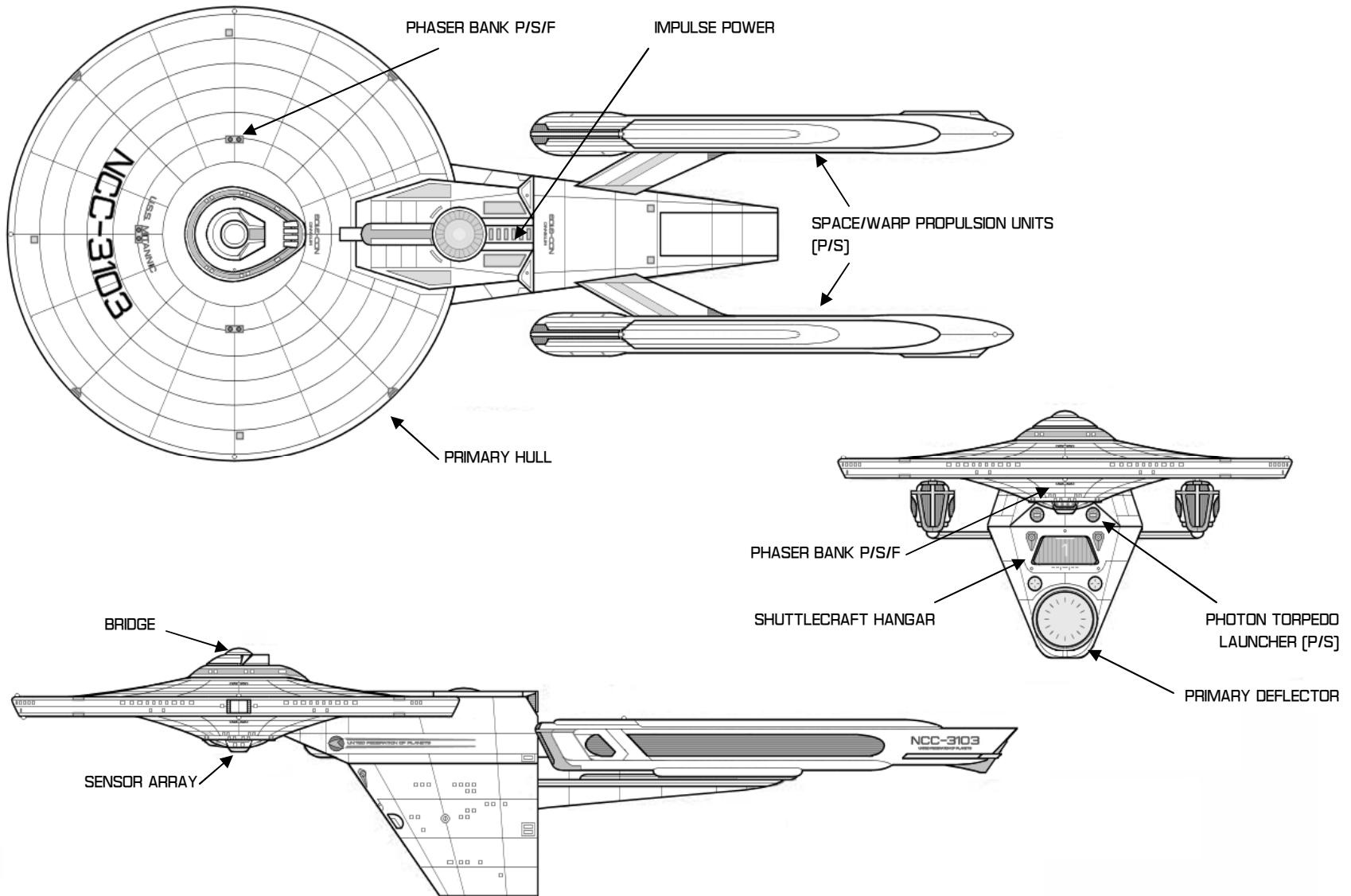
STANDARD SHIP'S COMPLEMENT:

OFFICERS [COMMAND]	55
CREW [ENSIGN GRADE]	340

THE FOLLOWING SHIPS OF THE *MITANNIC* CLASS WERE AUTHORIZED BY STAR FLEET APPROPRIATION OF STARDATE 6800:

NCC-3103	USS MITANNIC*	NCC-3107	USS AVENDESTA
NCC-3104	USS HASTINGS	NCC-3108	USS AUSTERLITZ
NCC-3105	USS MARATON	NCC-3109	USS ZETAR
NCC-3106	USS PASHTO		

*CLASS SHIP



SEE BOOKLET OF GENERAL PLANS FOR DETAILS

FEDERATION FAST FRIGATE

DARAN CLASS STARSHIPS

PARTICULARS:

DEADWEIGHT TONNAGE	139,000MT
STD. RANGE	19 YEARS AT L.Y.V.
MAX. SAFE CRUISING SPEED	W/F 7
EMERGENCY SPEED	W/F 11
COLLIMATOR PHASERS	NONE
STANDARD PHASERS	3 BANKS / 2 EACH
PHOTON TORPEDOES	NONE
LENGTH [OVERALL]	243M
BREADTH [OVERALL]	141M
HEIGHT [OVERALL]	50M
PRIMARY HULL DIAMETER	141M
PROPULSION UNIT LENGTH [OVERALL]	155M
PROPULSION UNIT BEAM [OVERALL]	13M

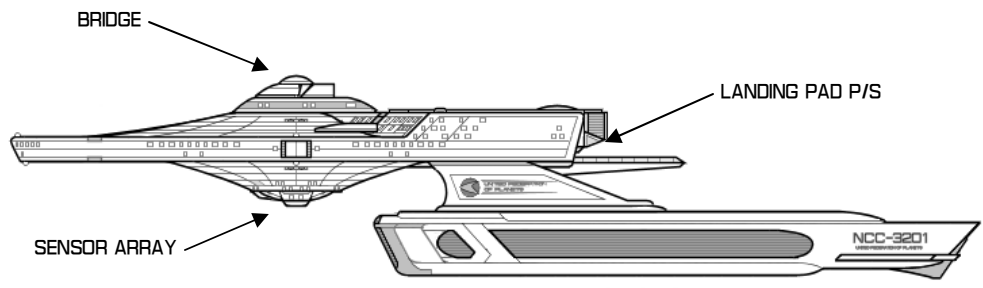
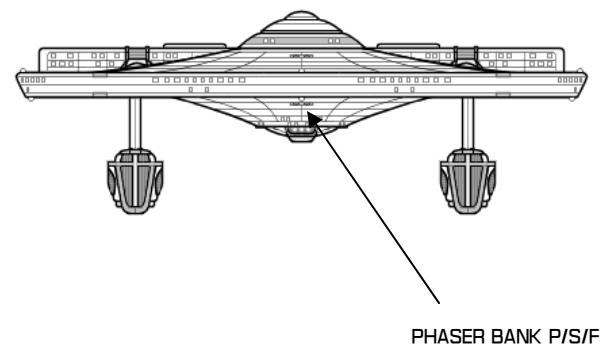
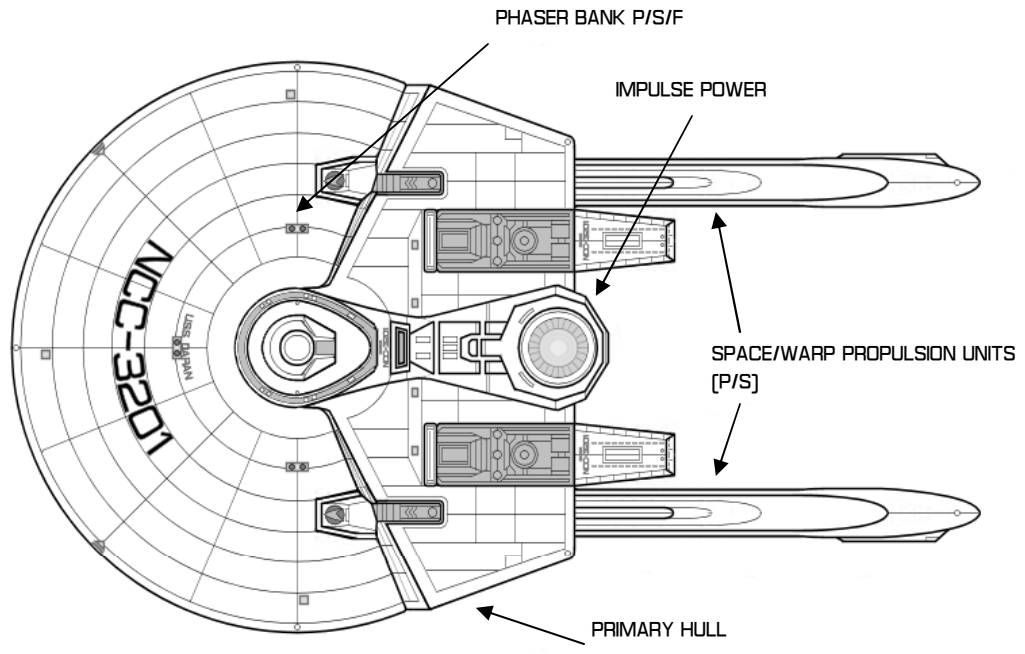
STANDARD SHIP'S COMPLEMENT:

OFFICERS [COMMAND]	85
CREW [ENSIGN GRADE]	260

THE FOLLOWING SHIPS OF THE *DARAN* CLASS WERE AUTHORIZED BY STAR FLEET APPROPRIATION OF STARDATE 6800:

NCC-3201	USS DARAN*	NCC-3207	USS KIDD
NCC-3202	USS HARUNA	NCC-3208	USS STARK
NCC-3203	USS ETEN	NCC-3209	USS DI JAHAN
NCC-3204	USS VINSON	NCC-3210	USS BROOKE
NCC-3205	USS SER'RATH**	NCC-3211	USS SORYU
NCC-3206	USS DACE	NCC-3212	USS ATALANTI

*CLASS SHIP / ** LOST IN THE LINE OF DUTY



SEE BOOKLET OF GENERAL PLANS FOR DETAILS

FEDERATION ESCORT

RENNER CLASS STARSHIPS

PARTICULARS:

DEADWEIGHT TONNAGE	74,000MT
STD. RANGE	8 YEARS AT L.Y.V.
MAX. SAFE CRUISING SPEED	W/F 7
EMERGENCY SPEED	W/F 11
COLLIMATOR PHASERS	NONE
STANDARD PHASERS	6 BANKS / 2 EACH
PHOTON TORPEDOES	2 LAUNCHERS
LENGTH [OVERALL]	220M
BREADTH [OVERALL]	86M
HEIGHT [OVERALL]	53M
PRIMARY HULL DIAMETER	N/A
PROPULSION UNIT LENGTH [OVERALL]	155M
PROPULSION UNIT BEAM [OVERALL]	13M

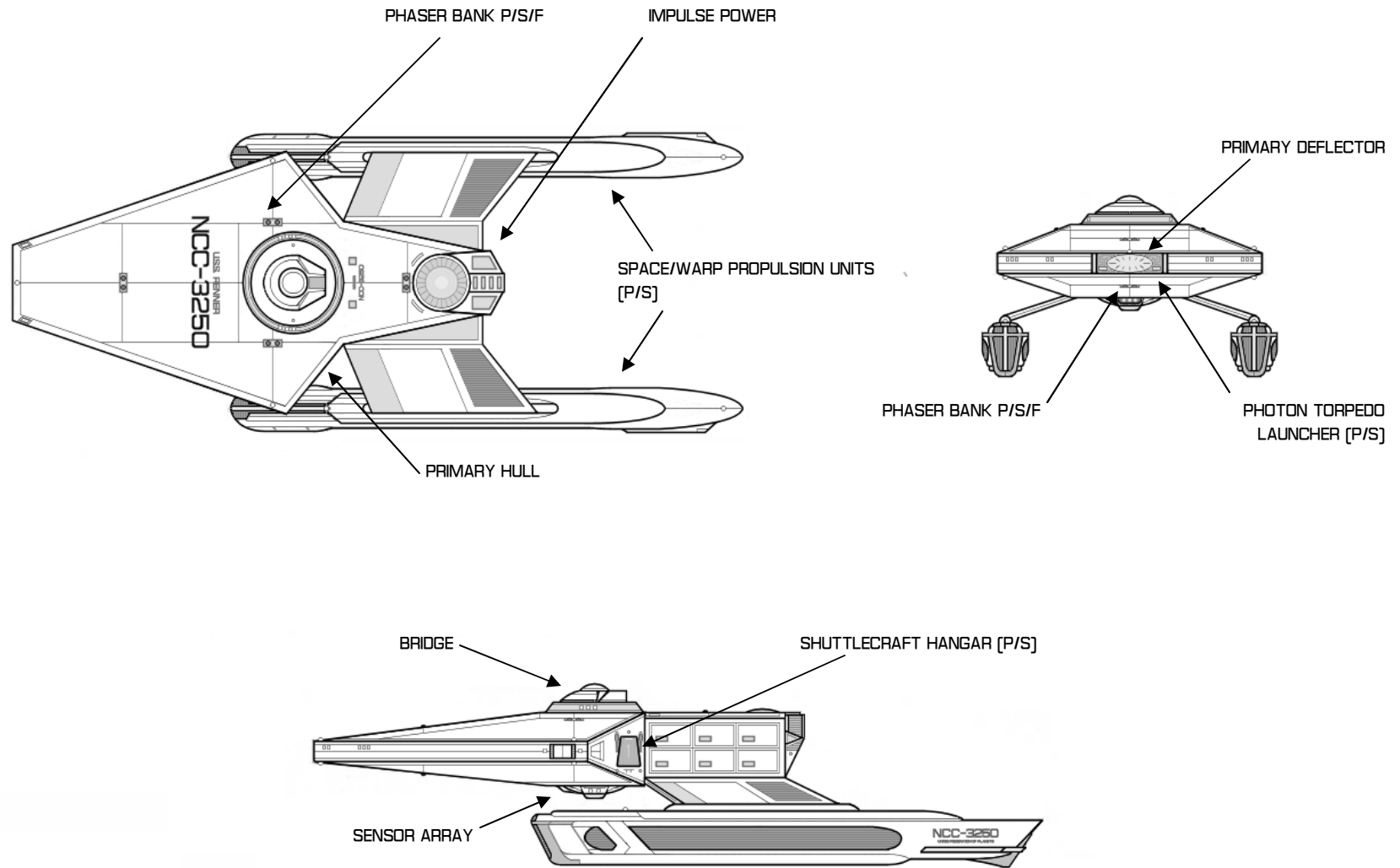
STANDARD SHIP'S COMPLEMENT:

OFFICERS [COMMAND]	54
CREW [ENSIGN GRADE]	128

THE FOLLOWING SHIPS OF THE *RENNER* CLASS WERE AUTHORIZED BY STAR FLEET APPROPRIATION OF STARDATE 6800:

NCC-3250	USS RENNER*	NCC-3261	USS SHAH JAHAN
NCC-3251	USS ROBUST	NCC-3262	USS BUXXSHAT
NCC-3252	USS MANTIS	NCC-3263	USS ESCOVEDO
NCC-3253	USS VICTORY	NCC-3264	USS VALOROUS
NCC-3254	USS DAUNTLESS	NCC-3265	USS JULGUASTH
NCC-3255	USS ARCADIA	NCC-3266	USS TASHANKA
NCC-3256	USS SERENE	NCC-3267	USS ERAND
NCC-3257	USS INVINCIBLE	NCC-3268	USS KATANA
NCC-3258	USS AXBRELL	NCC-3269	USS DURANT
NCC-3259	USS IXAARN	NCC-3270	USS REGAL
NCC-3260	USS MAKO		

*CLASS SHIP



SEE BOOKLET OF GENERAL PLANS FOR DETAILS

